



Polo 3

Deli & Prepared Food Showcase

Ventilated, Static, Neutral (Bread), Grab-&-Go



The third generation of a counter famed for its reliability, now with new design and a wide range of accessories. Curved glass opens with a piston on top for easy cleaning. Under-counter storage cells with operator-side doors are standard. Frame in anodized aluminum and work surface in 304 stainless steel. Electronic control panel with digital thermostat and automatic defrost. Units can be channeled together. Available in corner units for 45 and 90 degree turns. The wide display surface shows your products at their best.

POLO 3 - VENTILATED SHOWCASE

Min. Operating temperature +30°F/+41°F (-1°C/+5°C)

POLO 3 - STATIC SHOWCASE

Min. Operating Temperature +30°F/+45°F (-1°C/+7°C)

POLO 3 - GRAB-&-GO SHOWCASE

Min. Operating Temperature +30°F/+41°F (-1°C/+5°C)



Front glass: opens on top mounted piston

Glass panels: tempered & heated

Lighting: ultra-bright LED

Front panels: available in RAL colors

Side panels: silver cast durable plastic

Defrosting: automatic cycle

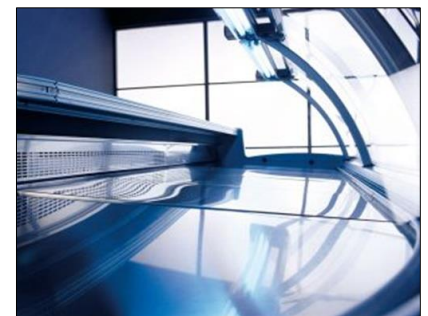
Thermostat: electronic and digital

Plumbing: not required

Compressor: available internal or remote

Electric: see table below

Electric Power (220V 1 phase)*		
Case Size	Watts	Breaker
Length 100	487	20 A
Length 150	588	20 A
Length 200	892	20 A
Length 250	997	20 A
Length 300	1225	20 A
Length 370	1253	20 A



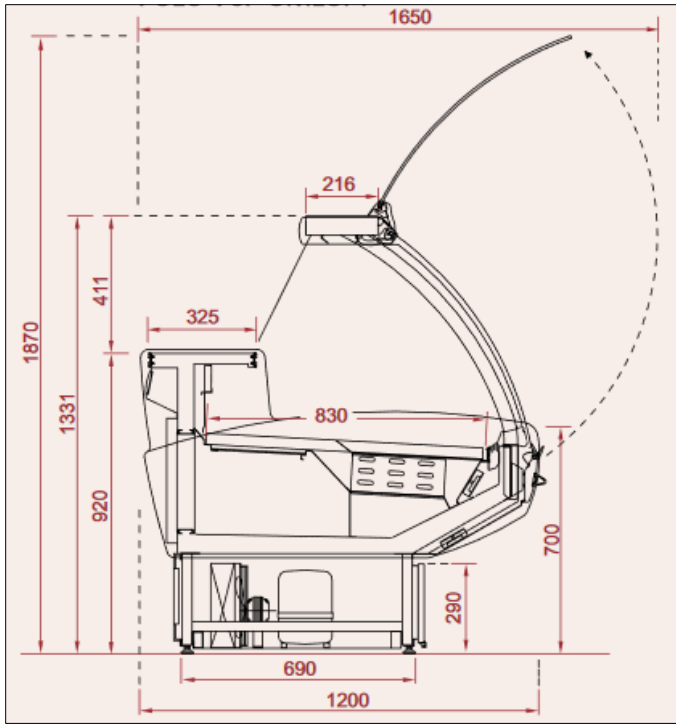
info@fmdisplayconcepts.com
800-889-3975
www.fmdisplayconcepts.com

* Power values are for ventilated refrigeration with internal condensing unit.

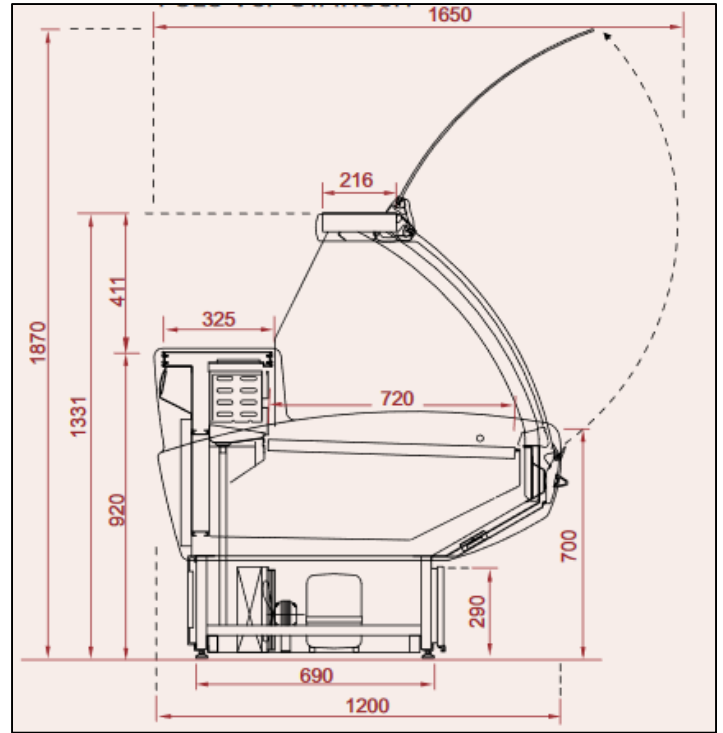
Polo 3 Dimensions



Polo 3 - Ventilated



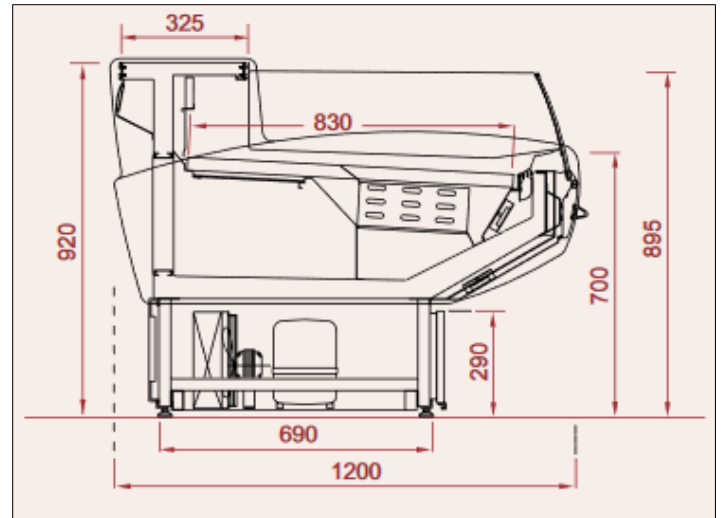
Polo 3 – Static



Dimensions

Feature	inches	mm
Depth (All)	47.25	1200
Height (Case)	52.4	1331
Height (G&G)	36.2	920
Length (100)	42.5	1080
Length (150)	61.8	1570
Length (200)	81.1	2060
Length (250)	100.4	2550
Length (300)	119.7	3040
Length (370)	148.6	3775

Polo 3 – Grab & Go



Intertek
3094110
CONFORMS TO UL STD 471; NSF STD 7
CERTIFIED TO CAN/CSA C22.2 STD No. 120