

# Next Total

## Refrigerated & Confectionery Showcase

H140 - H120



**Features:** Refrigerated showcase suitable for in-line installation. Bottom level refrigerated, top shelves ambient. Tubular aluminum base with adjustable feet. Rear uprights in aluminum, front uprights in Plexiglas with integral LED lighting. Glass front with electric opening. Sliding rear doors. Valve-type forced air refrigeration system with hermetic condenser unit. Automatic defrosting controlled by electronic thermostat. LED lighting mounted on top and on shelves (2 shelves on H140 and 1 shelf on H120)

NEXT "TOTAL": REFRIGERATED – VENTILATED SHOWCASE

**Operating temperature** +37°F/+44°F (3°C/+7°C)

**Climate Class 3** (25°C - 60% R.H.)

**Relative Humidity** 55%-60%

NEXT "TOTAL": CONFECTIONERY SHOWCASE

**Operating Temperature** +57°F/+61°F (+14°C/+16°C)

**Climate Class 4** (30° C- 55% R.H.)

**Relative Humidity** 55% -60%

**Front glass:** downward opening

**Glass panels:** tempered and decorated

**Front & side base panels:** white lacquered glass with optional covers available in a variety of RAL colors

**Compressor:** available integral or remote

**Defrosting:** reverse cycle

**Lighting:** ultra-bright LED

**Electric:** 220V 15A 1Phase

**Plumbing:** none required

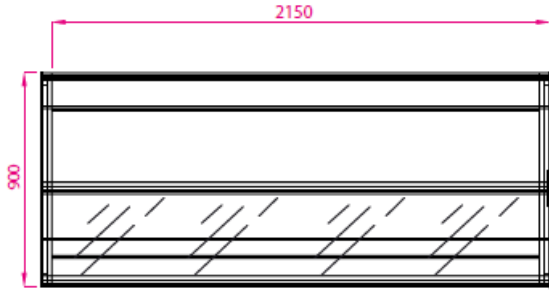


info@fmdisplayconcepts.com  
800-889-3975  
www.fmdisplayconcepts.com

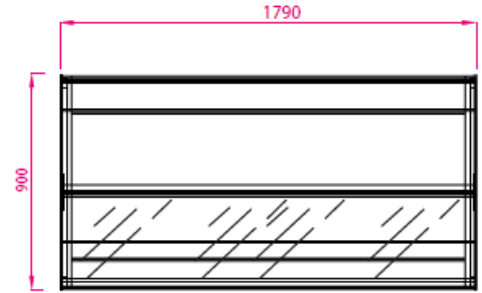


# Next Total

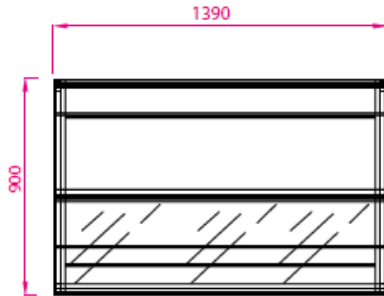
## Refrigerated & Confectionery Showcase



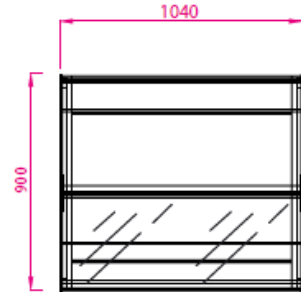
2110



1750

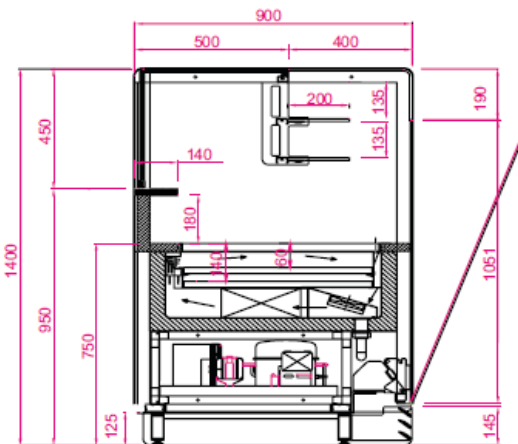


1350

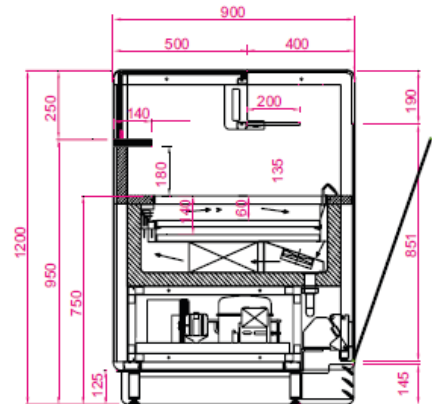


1000

H140



H120



Feature	inches	mm
Depth (All)	35.4	900
Height (H120)	47.2	1200
Height (H140)	55.1	1400
Length (1000)	40.9	1040
Length (1350)	54.7	1390
Length (1750)	70.5	1790
Length (2110)	84.6	2150

