



DISPLAY
CONCEPTS

Twin

Gelato & Ice Cream Showcase

H120 & H137



Features: Professional ventilated gelato & ice cream showcase with tubular epoxy-painted steel base, enbloc body insulated with injected polyurethane and lined with stainless steel. Base is fitted with adjustable feet or optional wheels. Flat tempered front glass is heated and opens downward. Glass superstructure is constructed of tubular aluminum. Tempered glass front & sides, heated with panel control with electronic regulation. Refrigerating system with evaporator installed underneath the display surface. Single compressor on 12 pan showcases, double compressor on all larger showcases. Automatic reverse cycle defrost. LED lighting standard. Automatic condensation evaporation on showcases with internal motor (connected to the main drainage with remote motor). Can be channeled to TWIN pastry showcase. Rear closing roll-away blind standard.

TWIN GELATO & ICE CREAM SHOWCASE

Operating temperature 0°F/+10°F (-18°C/-12°C)

Climate Class 4 (30° C- 55% R.H.)

Relative Humidity 55% -60%

Structure: tubular epoxy-painted steel , stainless steel & aluminum

Front glass: downward opening

Glass panels: tempered and heated

Front & side base panels: lacquered in a variety of RAL colors

Compressor: available integral or remote

Defrosting: automatic reverse cycle

Lighting: LED standard

Electric: 220V 20A 1Phase

Plumbing: none required



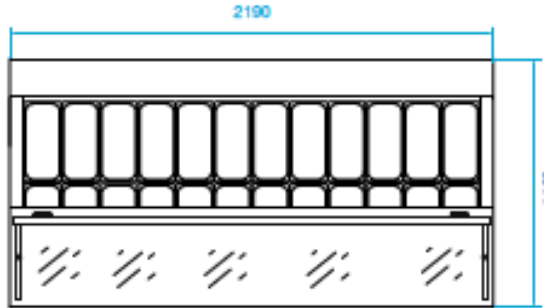
info@fmdisplayconcepts.com
800-889-3975
www.fmdisplayconcepts.com



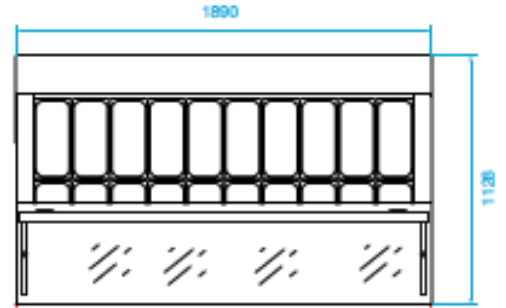
DISPLAY
CONCEPTS

Twin

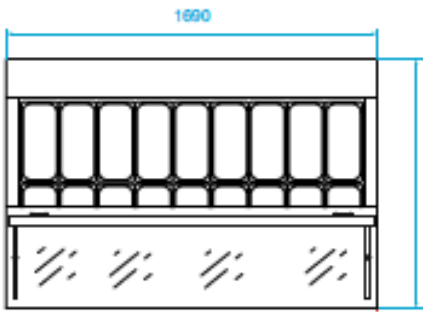
Gelato & Ice Cream Showcase



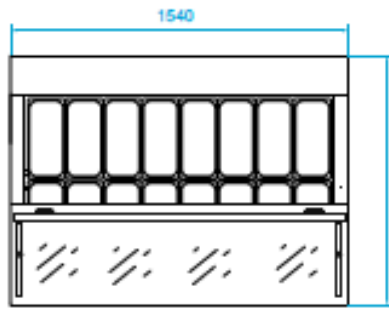
24



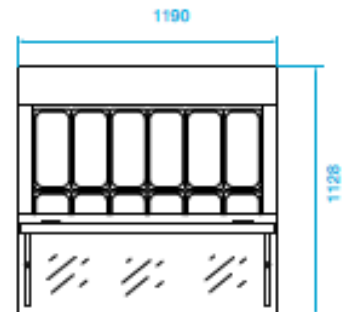
20



18



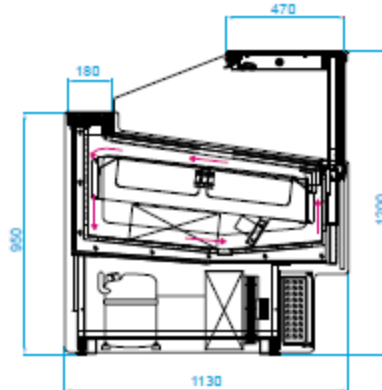
16



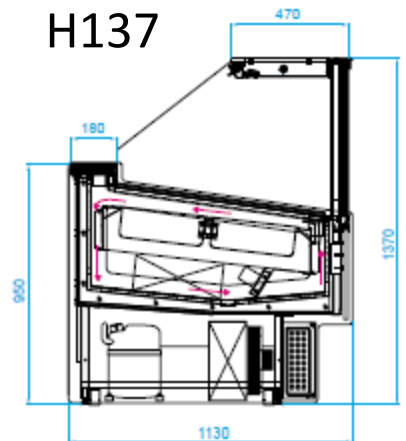
12

Feature	inches	mm
Depth (All)	44.5	1130
Height (H120)	47.2	1200
Height (H137)	53.9	1370
Length (12 pan)	50.8	1290
Length (16 pan)	60.6	1540
Length (18 pan)	66.5	1690
Length (20 pan)	74.4	1890
Length (24 pan)	86.2	2190

H120



H137



CONFORMS TO UL STD 471; NSF STD 7
CERTIFIED TO CAN/CSA C22.2 STD No. 120

