

Prima

Gelato & Ice Cream Showcase

H137



Features: Professional ventilated gelato & ice cream showcase with storage under the displayed top pan. Opening glass front with hydro-lift pistons. Tempered glass front & sides, heated with panel control. Refrigerating system with double evaporator, painted for corrosion resistance. Automatic cycle inversion defrost. Lighted flavor markers standard. Control panel in the top section (operator side). Front grill and risers in anodized aluminum (gold or champagne optional). Fluorescent lamp lighting standard, LED optional. Automatic condensation evaporation on showcases with internal motor (connected to the main drainage with remote motor). Can be channeled to Prima pastry showcase. Rear closing roll-away blind standard.

PRIMA GELATO & ICE CREAM SHOWCASE

Operating temperature 0°F/+10°F (-18°C/-12°C)

Climate Class 4 (30° C- 55% R.H.)

Relative Humidity 55% -60%

Structure: stainless steel & aluminum

Front glass: piston opening

Glass panels: tempered and heated

Front & side base panels: lacquered in a variety of RAL colors; side panel with insert

Compressor: available integral or remote

Defrosting: automatic cycle inversion

Lighting: fluorescent lamp, LED optional

Electric: 220V 20A 1Phase

Plumbing: none required

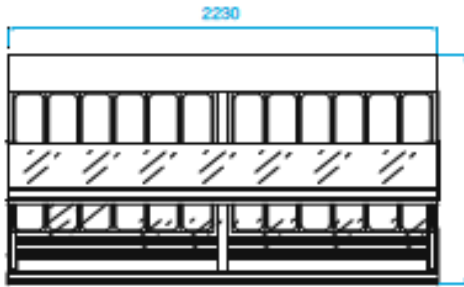


info@fmdisplayconcepts.com
800-889-3975
www.fmdisplayconcepts.com

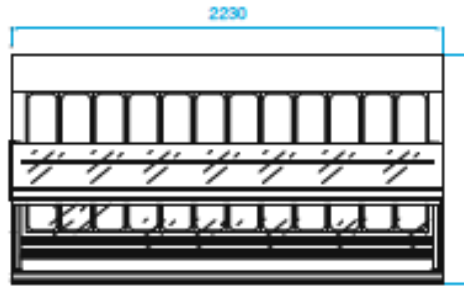


Prima

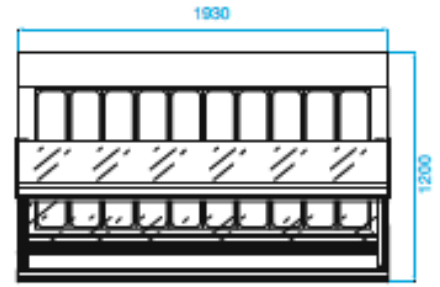
Gelato & Ice Cream Showcase



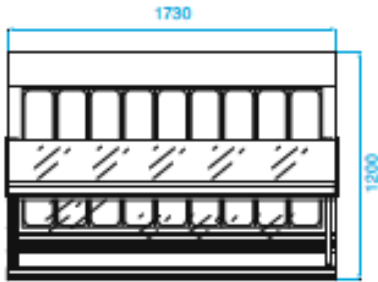
12+12



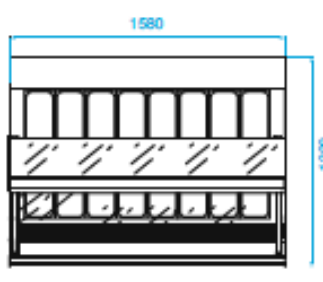
24



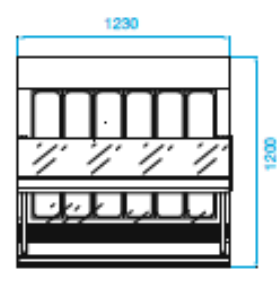
20



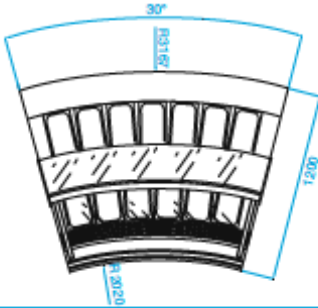
18



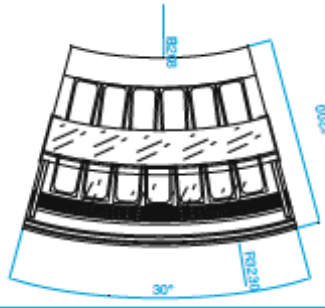
16



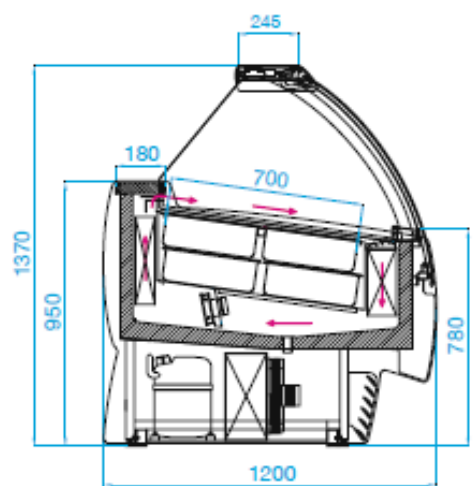
12



13 - ANGOLO INTERNO 30°



13 - ANGOLO ESTERNO 30°



Feature	inches	mm
Depth (All)	47.2	1200
Height (All)	53.9	1370
Length (12 pan)	48.4	1230
Length (16 pan)	62.2	1580
Length (18 pan)	68.1	1730
Length (20 pan)	76.0	1930
Length (24 pan)	87.8	2230
Length (12+12)	87.8	2230

ETL LISTED
 US
 Intertek
 3094110
 CONFORMS TO UL STD 471; NSF STD 7
 CERTIFIED TO CAN/CSA C22.2 STD No. 120

ETL LISTED

 Intertek



frigomeccanica
 Arredamenti Bar