



DISPLAY
CONCEPTS

Polo Squared

Deli & Prepared Food Showcase

Ventilated, Static, Neutral (Bread), Grab-&-Go



POLO REFRIGERATED – VENTILATED SHOWCASE

Min. Operating temperature +32°F/+41°F (0°C/+5°C)

Climate Class 3 (25°C - 60% R.H)

Relative Humidity 55%-60%

Features: Aluminum construction. Ventilated refrigeration with valve, R404A gas, internal or remote. Full under counter refrigerated storage cells with fitted doors. Can be channeled together. Glass demisting with Polo Squared. 90° and 45° corner cases available.

POLO STATIC SHOWCASE

Min. Operating Temperature +32°F/+45°F (+0°C/+7°C)

Climate Class 3 (25°C - 60% R.H)

Relative Humidity 55% -60%

Features: Aluminum construction. Static refrigeration with capillary tube, R404A gas, internal or remote. Full under counter refrigerated storage cells with fitted doors. Can be channeled together. 90° and 45° corner cases available.

POLO GRAB-&-GO SHOWCASE

Min. Operating Temperature +32°F/+41°F (0°C/+5°C)

Climate Class 3 (25°C - 60% R.H)

Relative Humidity 55% -60%

Features: Aluminum construction. Ventilated refrigeration with valve, R404A gas, internal or remote. Full under counter refrigerated storage cells with fitted doors. Can be channeled together.

Front glass: piston operated opening

Glass panels: tempered

Front panels: available in a variety of colors

Side panels: grey

Compressor: available integral or remote

Defrosting: available on Polo Squared ventilated

Thermostat: Electronic

Lighting: ultra-bright LED

Electric: 220V 15A 1Phase

Plumbing: drain connected to bottom

Accessories: available, please ask



info@fmdisplayconcepts.com
800-889-3975
www.fmdisplayconcepts.com

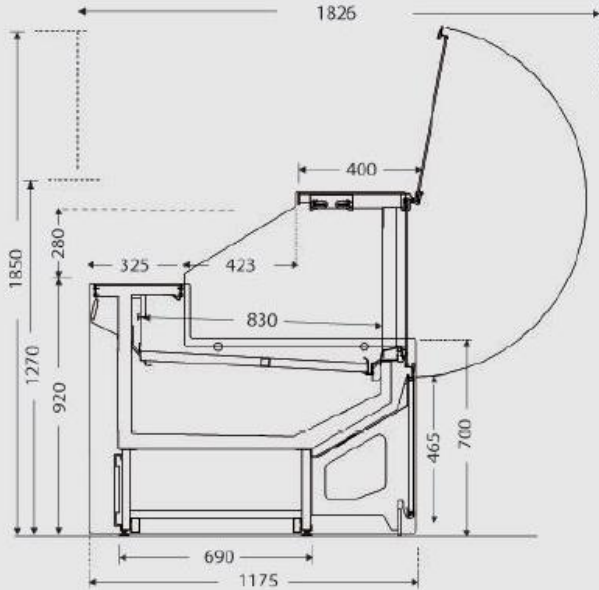
Polo Squared

Deli & Prepared Food Showcase

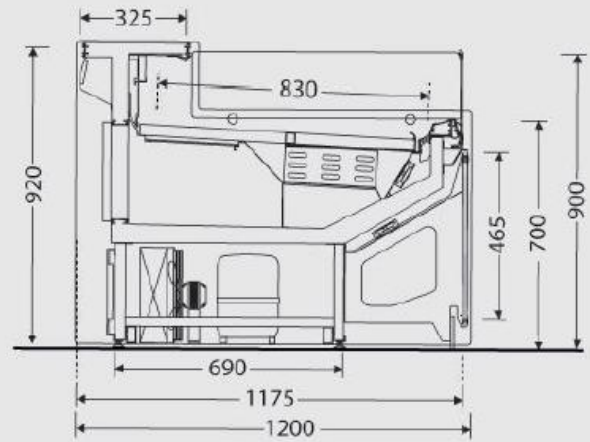
Polo Squared

Polo Squared – Grab & Go

Sezione - Section - Section - Querschnitt



Sezione - Section - Section - Querschnitt



Feature	inches	mm
Depth (All)	46.9	1192
Height (Case)	51.6	1311
Height (G&G)	36.2	920
Length (100)	42.5	1080
Length (150)	61.8	1570
Length (200)	81.1	2060
Length (250)	100.4	2550
Length (300)	119.7	3040
Length (370)	148.6	3775



Intertek
3094110
CONFORMS TO UL STD 471; NSF STD 7
CERTIFIED TO CAN/CSA C22.2 STD No. 120