



DISPLAY
CONCEPTS

Mirage

Meat, Seafood & Prepared Food Showcase Refrigerated, Seafood, Neutral, Grab-&-Go



- Front glass:** piston operated opening
- Glass panels:** curved, tempered glass
- Front panels:** available in a variety of colors
- Side panels:** grey
- Compressor:** available integral or remote
- Defrosting:** fan defrost on Deluxe, resistor on Tech
- Thermostat:** Electronic
- Lighting:** ultra-bright LED
- Electric:** 220V 15A 1Phase
- Plumbing:** drain connected to bottom
- Accessories:** matching counters and other accessories available, please ask

MIIRAGE REFRIGERATED – VENTILATED SHOWCASE

Min. Operating temperature +32°F/+35°F (0°C/+2°C)

Climate Class 3 (25°C - 60% R.H)

Features: Aluminum and stainless steel construction. Curved glass opens with hydro-lift pistons. Ventilated refrigeration with valve, R404A gas, internal or remote. Digital control board. Can be channeled together. LED lighting. 90° and 45° corner cases available.

MIRAGE SEAFOOD SHOWCASE

Min. Operating Temperature +30°F/+32°F (-1°C/0°C)

Climate Class 3 (25°C - 60% R.H)

Features: Aluminum and stainless steel construction. Curved glass opens with hydro-lift pistons. Valve ventilated refrigeration, R404A gas, internal or remote. Piping can be connected to drain. LED lighting. Can be channeled together. 90° and 45° corner cases available.

MIRAGE DELUXE: Tip-up internal surface on hinge for cleaning, glass defrost with fans

MIRAGE TECH: Internal surface panels removed for cleaning, glass defrost with resistor

MIRAGE NEUTRAL SHOWCASE

Min. Operating Temperature Ambient

Features: Aluminum & stainless steel construction. Non-refrigerated. LED lighting. Intermediary shelf standard. Can be channeled together.

MIIRAGE TECH GRAB & GO – VENTILATED

Min. Operating temperature +32°F/+35°F (0°C/+2°C)

Climate Class 3 (25°C - 60% R.H)

Features: Aluminum & stainless steel construction. Low, curved glass. Ventilated refrigeration with valve, R404A gas, internal or remote. Digital control board. Can be channeled together.

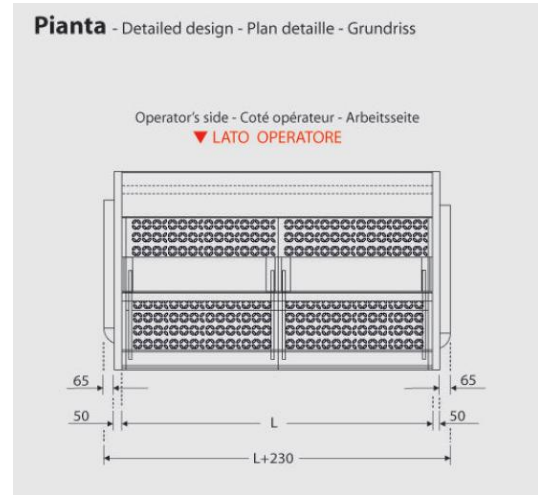
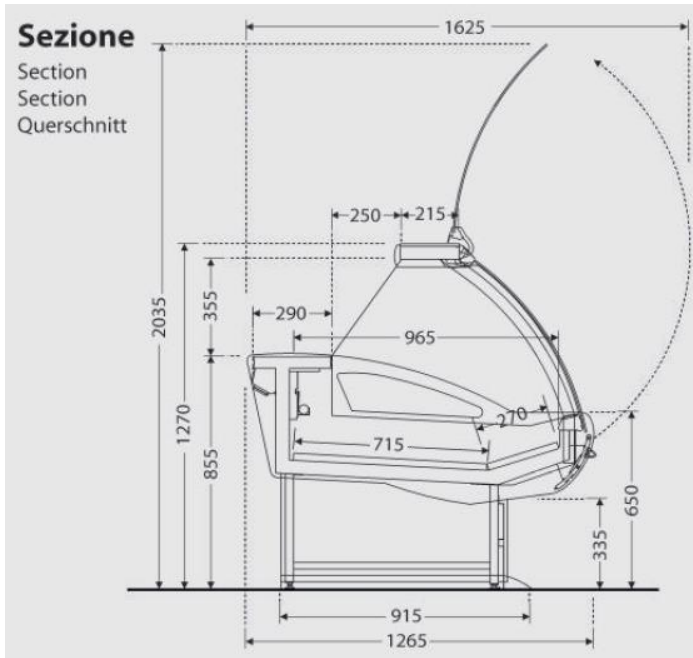
info@fmdisplayconcepts.com
800-889-3975
www.fmdisplayconcepts.com



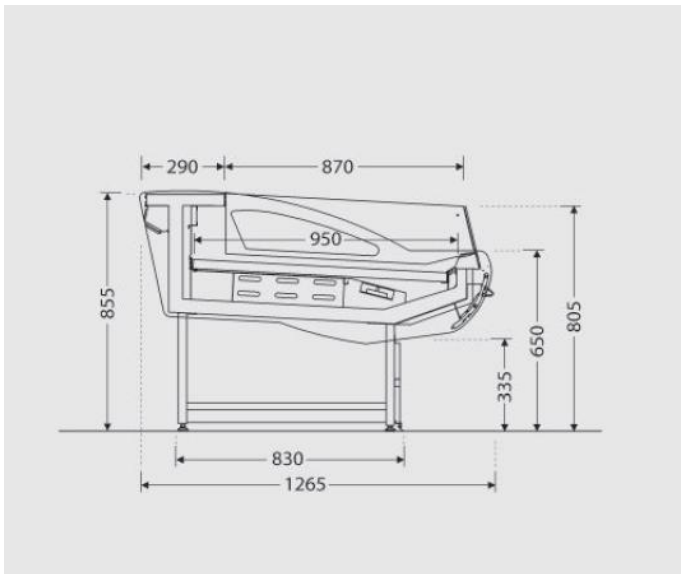
Mirage

Meat, Seafood & Prepared Food Showcase

Mirage



Mirage – Grab & Go



Feature	inches	mm
Depth (All)	49.8	1265
Height (All)	50.0	1270
Length (L-70)	28.9	735
Length (L-100)	38.6	980
Length (L-120)	48.2	1225
Length (L-150)	57.9	1470
Length (L-200)	77.2	1960
Length (L-250)	96.5	2450
Length (L-300)	115.7	2940
Length (L-320)	125.4	3185
Length (L-340)	135.0	3430
Length (L-370)	144.7	3675
Length (L-400)	154.3	3920
Length (L-420)	164.0	4165
Length (L-440)	173.6	4410