

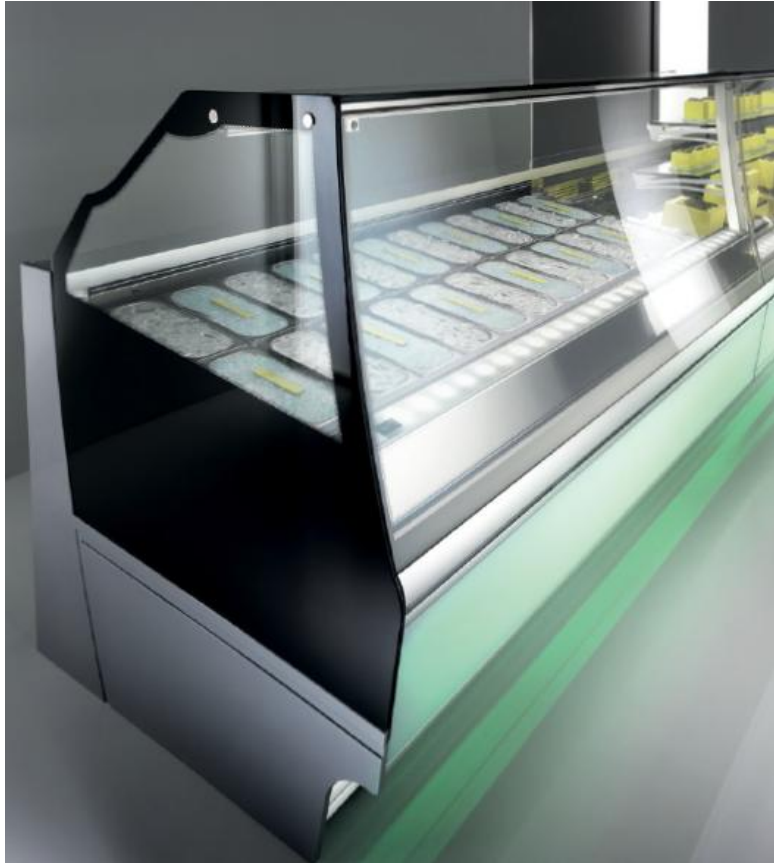


DISPLAY
CONCEPTS

Elettra

Gelato & Ice Cream Showcase

H137 – H120



Features: Professional ventilated gelato & ice cream showcase with optional dual ventilation (see inset on following page). Storage under the displayed top pan (for single ventilated cases only). Front glass panel downward opening. Double pane tempered, heated glass front & sides, heated with panel control. Front grid and risers in anodized aluminum (available in silver, gold or champagne). LED lighting underneath top surface and on flavor markers (standard). Refrigeration system with double evaporator, coated for corrosion resistance. Back enclosed by roller blinds. Automatic cycle inversion defrosting, automatic showcase condensate evaporation with integral motor, condensate drain for connection to drainage system with remote motor. The condenser unit can be integral in the showcase or remote, at a distance of up to 20 meters.

ELETTRA GELATO & ICE CREAM SHOWCASE

Operating temperature 0°F/+10°F (-18°C/-12°C)

Climate Class 4 (30° C- 55% R.H.)

Relative Humidity 55% -60%

Structure: stainless steel & anodized aluminum

Front glass: downward opening

Glass panels: double pane, tempered and heated

Front & side base panels: lacquered in a variety of RAL colors

Ventilation: single laminar flow standard, double ventilation optional

Compressor: available integral or remote

Defrosting: automatic inversion cycle

Lighting: high luminosity LED

Electric: 220V 20A 1Phase

Plumbing: none required



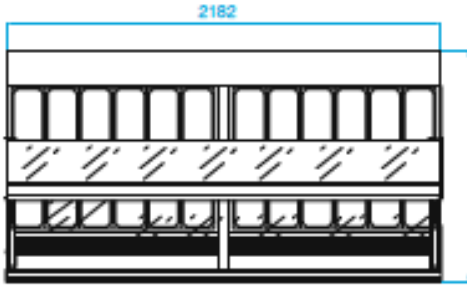
info@fmdisplayconcepts.com
800-889-3975
www.fmdisplayconcepts.com



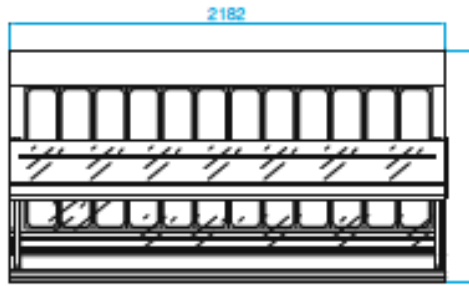
DISPLAY
CONCEPTS

Elettra

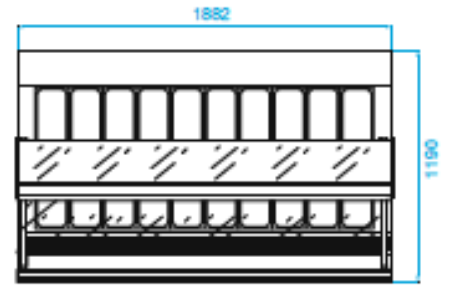
Gelato & Ice Cream Showcase



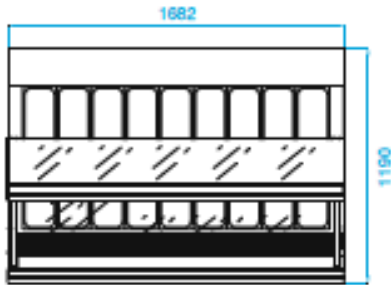
12+12



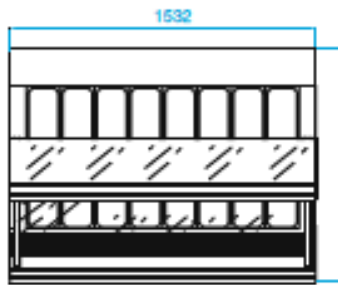
24



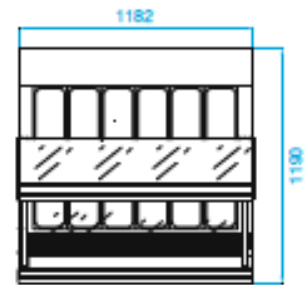
20



18



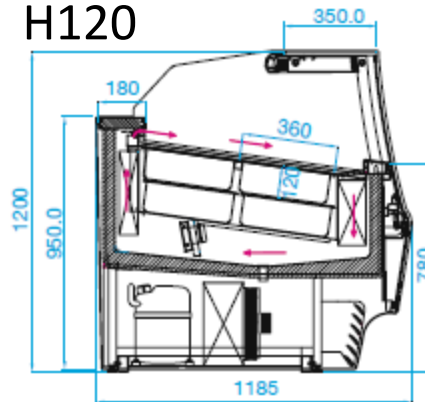
16



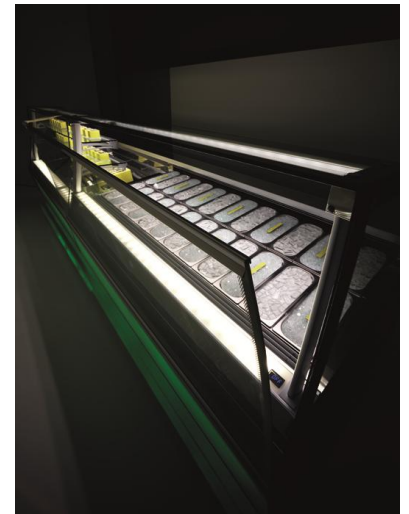
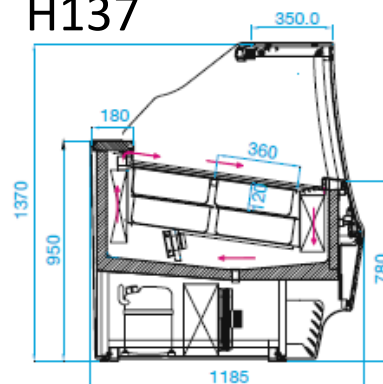
12

Feature	inches	mm
Depth (All)	46.9	1190
Height (120)	47.2	1200
Height (137)	53.9	
Length (12 pan)	46.5	1182
Length (16 pan)	60.3	1532
Length (18 pan)	66.2	1682
Length (20 pan)	74.1	1882
Length (24 pan)	85.9	2182
Length (12+12)	85.9	2182

H120



H137



frigomeccanica
Arredamenti Bar



ETL LISTED
 US
 Intertek
 3094110
 CONFORMS TO UL STD 471; NSF STD 7
 CERTIFIED TO CAN/CSA C22.2 STD No. 120